

RMS - SF6 RMU

MODULAR METAL-ENCLOSED RING MAIN UNIT

SUMMARY

RMS 12, RMS 24 are Medium Voltage Metal- Enclosed Switchgear. It is Modular type utilizing SF6 LBS, SF6 Fused Switch, Vacuum Circuit Breaker and Metering.



AMBIENT CONDITION

1. Ambient temperature: $-25^{\circ}\text{C}\sim+40^{\circ}\text{C}$;
2. Altitude: $\leq 1000\text{m}$;
3. Relative humidity: daily average $\leq 95\%$, monthly average $\leq 90\%$;
4. Occasions without flammable and explosive matter, without corrosive chemical and frequent severe vibration, without strong shake.

MODEL



PRODUCT FEATURE

Panel structure: The panel body is enclosed by 2 mm aluminium-zinc plated steel plate after multi-bending. It is simple, firm, delicate and peculiar.

1. **Busbar compartment**
The busbar compartment is located in the top and connect with neighboring panel.
2. **Load break switch is a separated unit with SF6 gas.**
3. **Cable compartment**
Approximate 75% room for connecting cable and installing fuse, earthing switch and PT.
4. **Mechanism chamber and interlock**
The chamber consists of operating mechanism, mechanism interlock, position indicator, auxiliary contact trip coil, power indicator and interlock.
5. **LV chamber**
LV compartment is located in the top. It mainly user for installing instrument, relay and motor.
6. **Circuit breaker compartment**
The circuit breaker (SF6 or Vacuum) is located below load break switch.

Pressure release:

- A. **Upper pressure release**
It is mainly used for releasing gas pressure which produced by arc accident in busbar load break switch compartment.
- B. **Down pressure release**
It is mainly used for releasing gas pressure which produced by arc accident in cable small compartment.

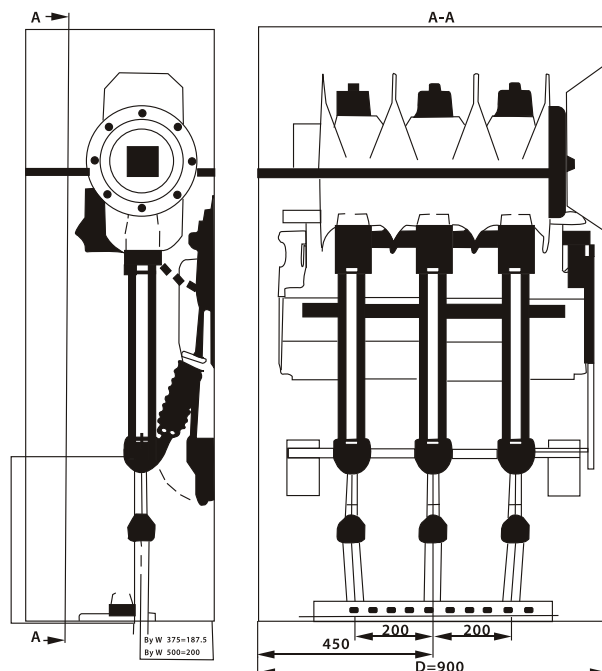


TECHNICAL SPECIFICATION

Item	Unit	RMS 12	RMS 24
Rated voltage	kV	12	24
Rated frequency	Hz	50/60	50/60
Main busbar rated current	A	630	630
Main loop, earthing loop rated short time withstand current	kA/s	20/3	20/3
Main loop, earthing loop rated peak withstand current	kA	50	50
Main loop, earthing loop rated short circuit making current	kA	50	50
Mechanical life	Times	2000	2000
1min P.F. Withstand(virtual value),phase to phase, earth/across open contacts	kV	38	50
Lightning impulse withstand voltage(peak) phase to phase, earth/across open contacts	kV	75/95	125
Secondary loop 1min P.F. Withstand	kV	2	2
Protection degree	-	IP3X	IP3X

OUTLINE AND DIMENSION

Width of circuit breaker panel	mm	500	500
Height	mm	1600	1600
Depth	mm	985	1200
Height of LV case	mm	450	450



PTP Energy Solution

📍 Factory:
2nd Indust. Area,
Plot D/5,
6th of October City,
Cairo, Egypt.

☎ +2 02 382 02657

✉ info@ptp-es.com